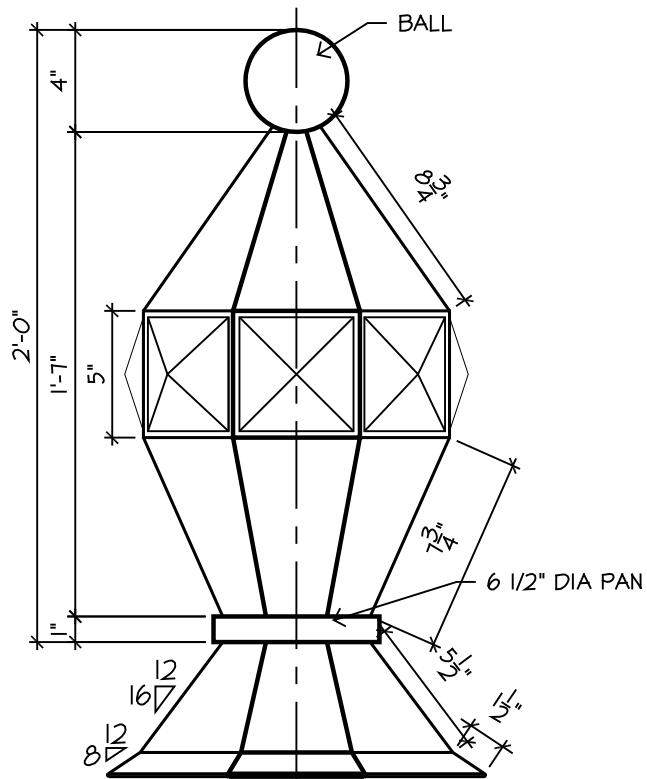
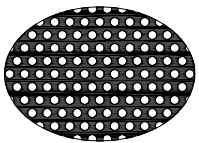


Plan



Elevation



FRONT VIEW OF
PERFORATED 'Z'
SUPPORT STRIP



OLD WORLD DISTRIBUTORS, INC.

Part No.: Waterbury Finial Jr - F322

Available Materials:

- 16 oz Copper (.021 thickness)
- 16 oz Lead Coated Copper (.021 thickness)
- Perforated 20 oz Copper 'Z' Strip -
- 3/32" Perforated w/ 5/32" Staggered Centers

Notes:

- Copper Rivet - C/B44D
- Stainless Steel Screw - #10 + 1 1/2"