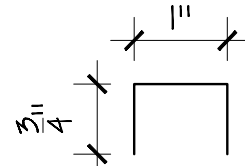
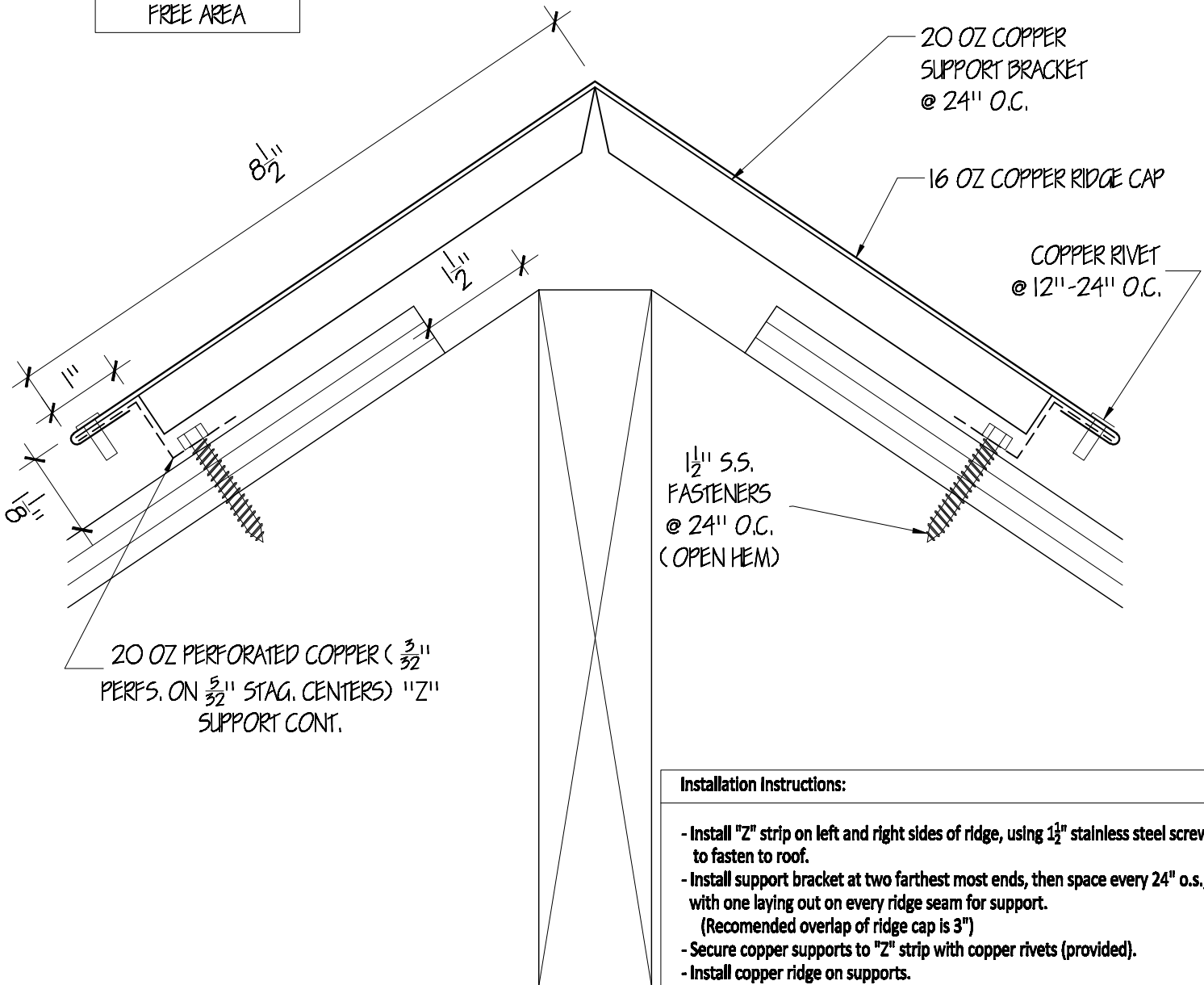


FRONT VIEW OF  
PERFORATED "Z"  
SUPPORT STRIP  
20 OZ ~40% NET  
FREE AREA



FRONT VIEW OF  
SUPPORT BRACKET



20 OZ PERFORATED COPPER ( $\frac{3}{32}$ "  
PERFS. ON  $\frac{5}{32}$ " STAG. CENTERS) "Z"  
SUPPORT CONT.

$\frac{1}{2}$ " S.S.  
FASTENERS  
@ 24" O.C.  
(OPEN HEM)

20 OZ COPPER  
SUPPORT BRACKET  
@ 24" O.C.

16 OZ COPPER RIDGE CAP

COPPER RIVET  
@ 12"-24" O.C.

**Installation Instructions:**

- Install "Z" strip on left and right sides of ridge, using  $1\frac{1}{2}$ " stainless steel screws to fasten to roof.
- Install support bracket at two farthest most ends, then space every 24" o.s., with one laying out on every ridge seam for support. (Recommended overlap of ridge cap is 3")
- Secure copper supports to "Z" strip with copper rivets (provided).
- Install copper ridge on supports.
- Open hem on ridge is accepted in copper "Z" strip, needs to be closed with hand seamers.
- Secure ridge to copper supports with copper rivets as necessary.
- Copper ridge will need to be turned down at gable ends for closure.

**SIGNATURE:** \_\_\_\_\_ **DATE:** \_\_\_\_\_



**OLD WORLD DISTRIBUTORS, INC.**

Part No.: Large Plain Ridge - Vented LPR-V

**Available Materials:**  
 24 ga. Galvalume 16 oz. Copper  
 24 ga. Kynar Steel 16 oz. Freedom Gray  
 .040 Kynar Aluminum Copper  
 24 ga. Zinc

**Notes:**