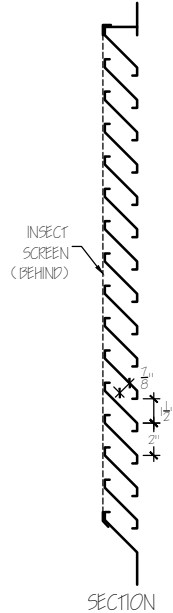
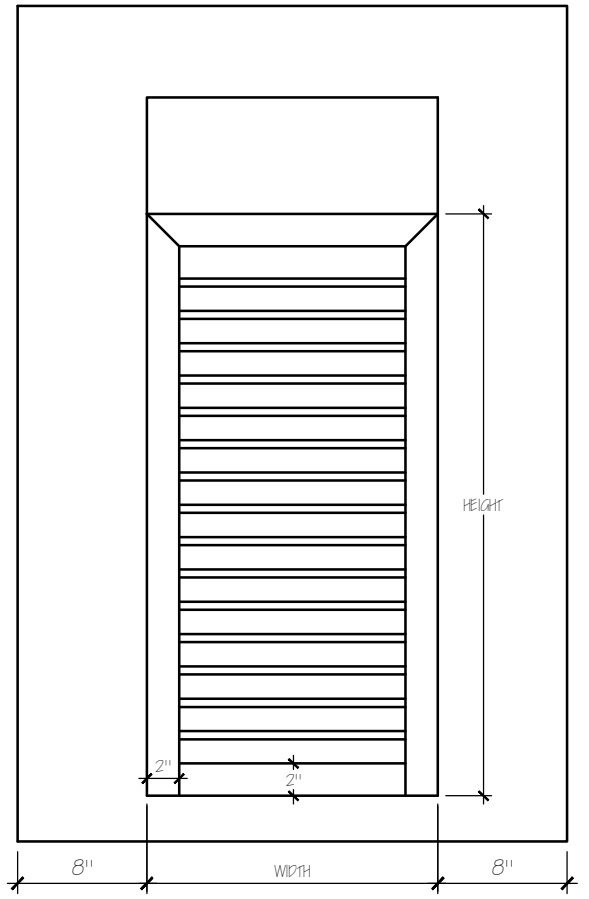


SIDE VIEW



SECTION



FRONT VIEW

ITEM	WIDTH	HEIGHT	NET FREE AREA (IN <sup>2</sup> )
RV-12	12	24	115
RV-18	18	36	336
RV-24	24	48	672
RV-36	36	72	1690

SIGNATURE:

DATE:



**OLD WORLD DISTRIBUTORS, INC.**

Part No.: Shed Dormer Vent

Available Materials:

- 24 ga. Kynar Steel
- .032 Kynar Aluminum
- 16 oz. Copper
- 16 oz. Lead Coated Copper

Notes: