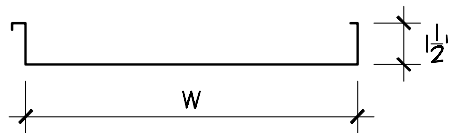
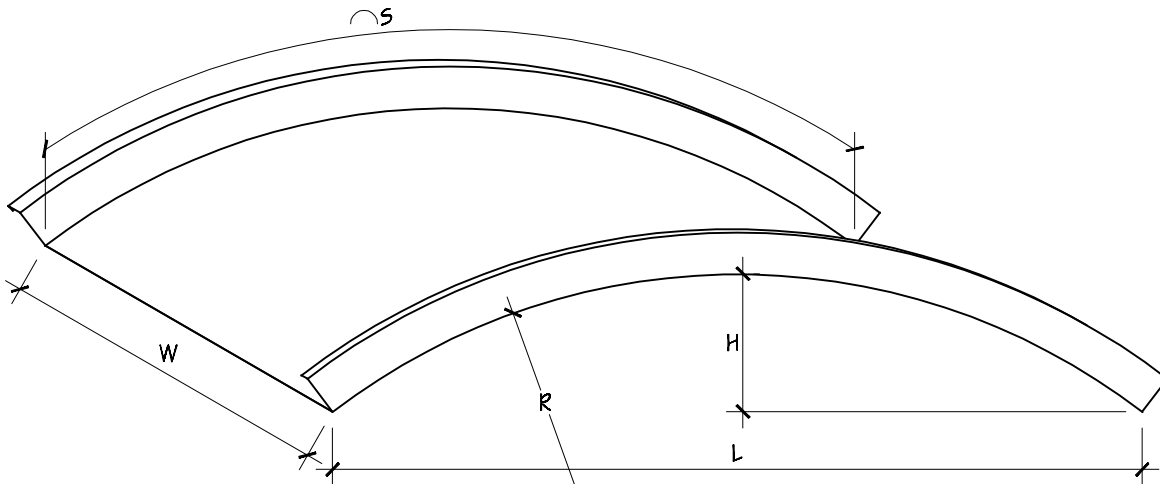


PANEL ELEVATION



PANEL PROFILE



DIMENSIONS:

- PANEL WIDTH (W) _____
- *DECK (ARC) LENGTH (S) _____
- (Required) CHORD (L) _____
- *HEIGHT (H) _____
- *RADIUS (R) _____
- AREA (SQ. FT.) $W \times S$ = _____
- QUANTITY _____

MATERIAL (circle one):

- PAINTED KYNAR STEEL 24 Gauge
- PAINTED KYNAR ALUMINUM .032"
- PAINTED KYNAR ALUMINUM .040"
- COPPER 16 oz
- FREEDOM GRAY COPPER 16 oz
- RHEINZINK 7mm

* please include at least one of these measurements



OLD WORLD DISTRIBUTORS, INC.

Part No.: Radius Panel Worksheet

Available Materials:

- Painted Kynar Steel
- Painted Kynar Aluminum
- Copper
- Freedom Gray Copper

Rheinzink

Notes: